

Plastic pull handles, oval

Item description/product images



Description

Material:

Thermoset PF 31.
Tapped bush, steel or stainless steel.

Version:

Thermoset black, high-gloss polished.
Trivalent blue passivated steel or bright stainless steel.

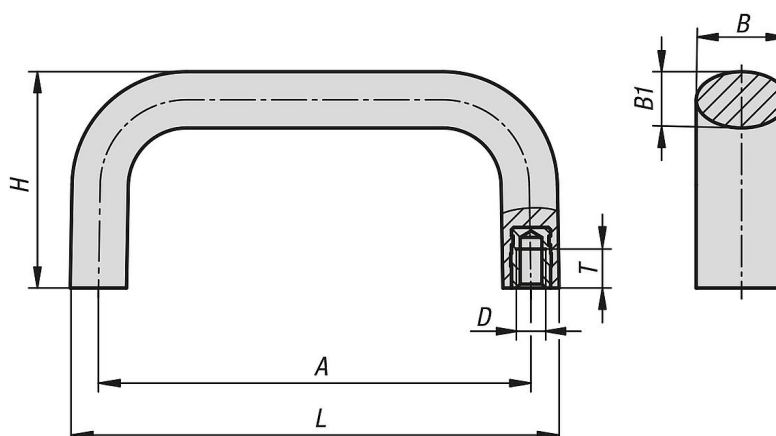
Temperature range:

Permanent application temperature 140°C.
Temporary operating temperature max. 160°C.

Assembly:

From the rear.

Drawings



Overview of items

Plastic pull handles, oval

Order No.	Component material	A	B	B1	D	H	L	T	Load capacity N
K1458.21000621	steel	100	21	13	M6	50	113	9	500
K1458.21200621	steel	120	21	13	M6	50	133	9	500
K1458.21280621	steel	128	21	13	M6	50	141	9	500
K1458.21600825	steel	160	25	17	M8	55	177	12	500
K1458.31000621	stainless steel	100	21	13	M6	50	113	9	500
K1458.31200621	stainless steel	120	21	13	M6	50	133	9	500
K1458.31280621	stainless steel	128	21	13	M6	50	141	9	500
K1458.31600825	stainless steel	160	25	17	M8	55	177	12	500