

Pull handles high temperature resistant

Item description/product images



Description

Material:

Thermoplastic PPA (resistant to high temperatures), fibreglass reinforced.

Version:

black.

Note:

The fastening hole is designed to accept the head of a cap or hexagon head screw or a hexagon nut.

Temperature range:

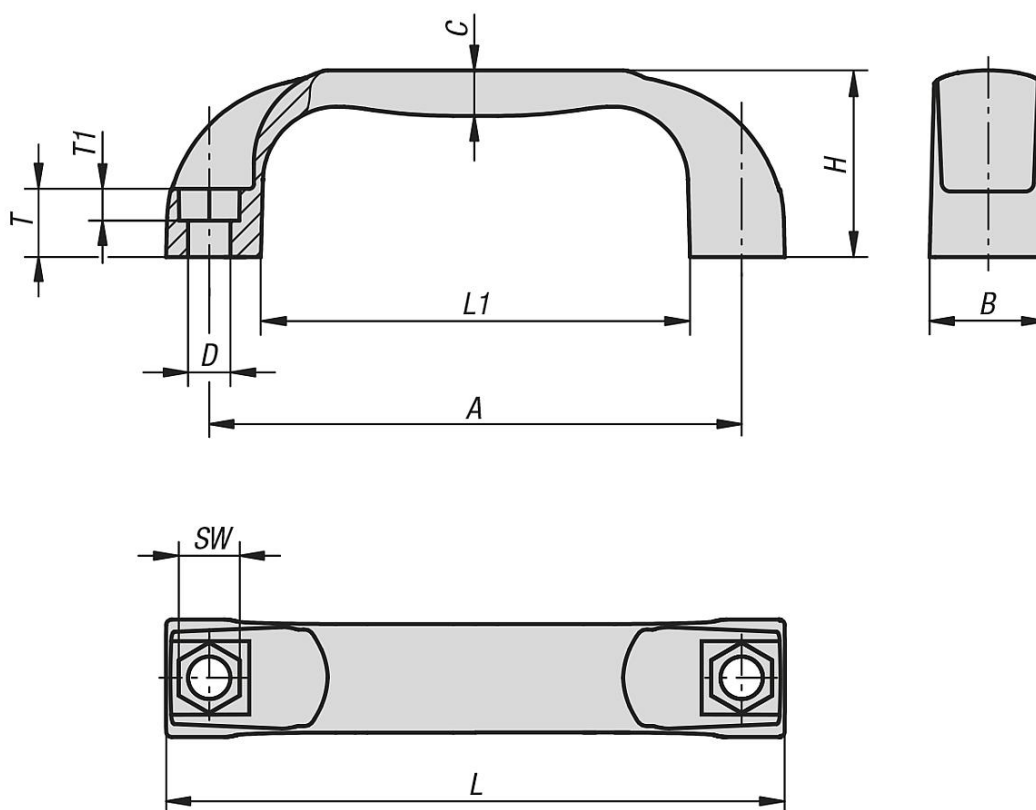
Continuous operating temperature acc. to IEC 216 max. 150°C - 160°C.

Temporary operating temperature max. 250°C.

Assembly:

From the front or rear.

Drawings



Overview of items

Pull handles, high temperature resistant

Pull handles high temperature resistant

Overview of items

Order No.	A	B	C	D	H	L	L1	SW	T	T1	Load capacity N
K0190.311708	117	26	10	9	41	136	94	13	15	8	1500
K0190.313208	132	27	11	9	44	154	112	13	16	8	1500

Information about this article

Remain stable even when hot – pull handles from KIPP: Temperature-resistant thermoplastic pull handles are dimensionally stable up to 250° C Heat-resistant pull handles from KIPP are specially developed for environments where it is important that plastic handles do not deform when subjected to high temperatures. This avoids rapid wear (due to melting and deformation) and so guarantees a consistently high functionality of the handles. KIPP handles can withstand a continuous operating temperature (acc. to IEC 216) of up to 160°, or even up to 250° for short-term operation. The pull handles are also resistant to hot water, can be sterilised with steam and the material has a high chemical resistance. These properties mean the handles are unaffected by regular machine cleaning (e.g. in the chemical or foodstuff industry). PPA thermoplastic: The material of choice here is a high temperature resistant, fibreglass reinforced PPA thermoplastic for improved heat dissipation (unlike conventional plastics, this high-temperature plastic is very dimensionally stable). The intermolecular bonding forces in conventional plastics often quickly becomes unstable when exposed to heat, whereas a PPA thermoplastic has to be subjected to a very high temperature for this to occur. Another benefit is the longevity of the handles. When exposed to high heat, polymer chains usually split gradually, causing the material to become brittle. Temperature-resistant pull handles can help to counteract this phenomenon too. The following is a list of potential sectors and common applications. Potential industries and applications: KIPP's heat-resistant pull handles were developed for the following sectors:

- General machine construction
- Foodstuff industry
- Medical technology
- Chemical industry

- Machines and equipment for foodstuff production
- Machines and equipment for machine construction (e.g. heat-treating furnaces)
- Canteen appliances and kitchen equipment
- Plumbing sectors
- Cleaning equipment

HEINRICH KIPP WERK has temperature-resistant pull handles available in several different sizes. These have been deliberately designed with ergonomics in mind and are RoHS compliant. The pull handles can be mounted from the front or rear and have a permissible WLL of 1500 N (K1090) or 1000 N

»K1060 auf.

Please note: The standard thermoplastic pull handles from KIPP should only be used up to a max. continuous operating temperature of 80° C.