

Pin for magnetic bush

Item description/product images



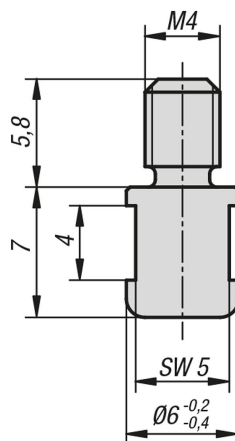
Description

Material:
Steel.

Version:
Bright.

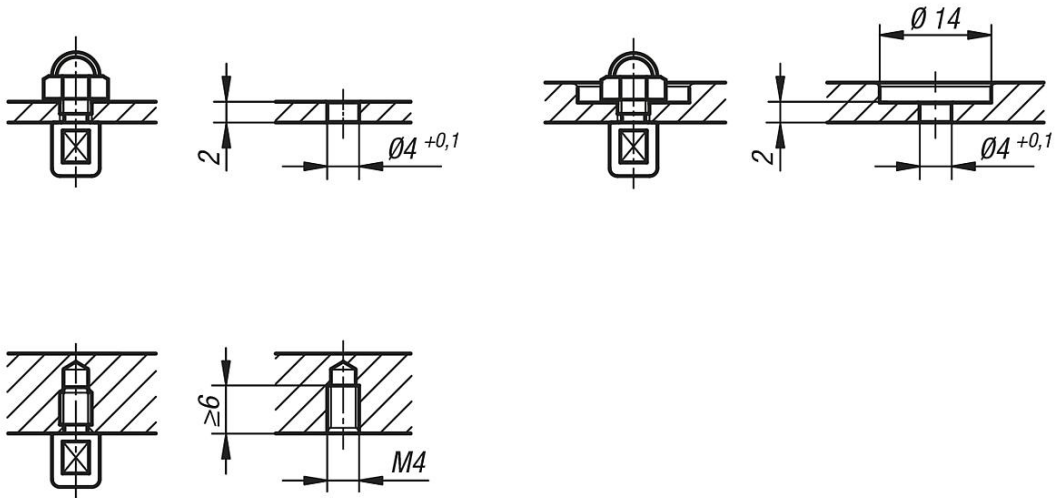
Note:
Accessory to K1068.
The pin is attracted to the magnetic bush K1068.
Mounting option with nut (not included) or by screwing directly into the workpiece.

Drawings



Pin for magnetic bush

Drawings



Overview of items

Pin for magnetic bush

| Order No. | Shear force kN |
|-----------|-------------------|
| K1069.6 | 0,9 |