

# Handwheels disc with revolving grip

## Item description/product images



### Description

#### Material:

Thermoset PF 31, black.

Hubs and steel parts of grip nickel-plated steel or bright 1.4305 stainless steel.

#### Version:

High-gloss polished.

#### Note:

The handwheel is supplied with the grip loose.

#### On request:

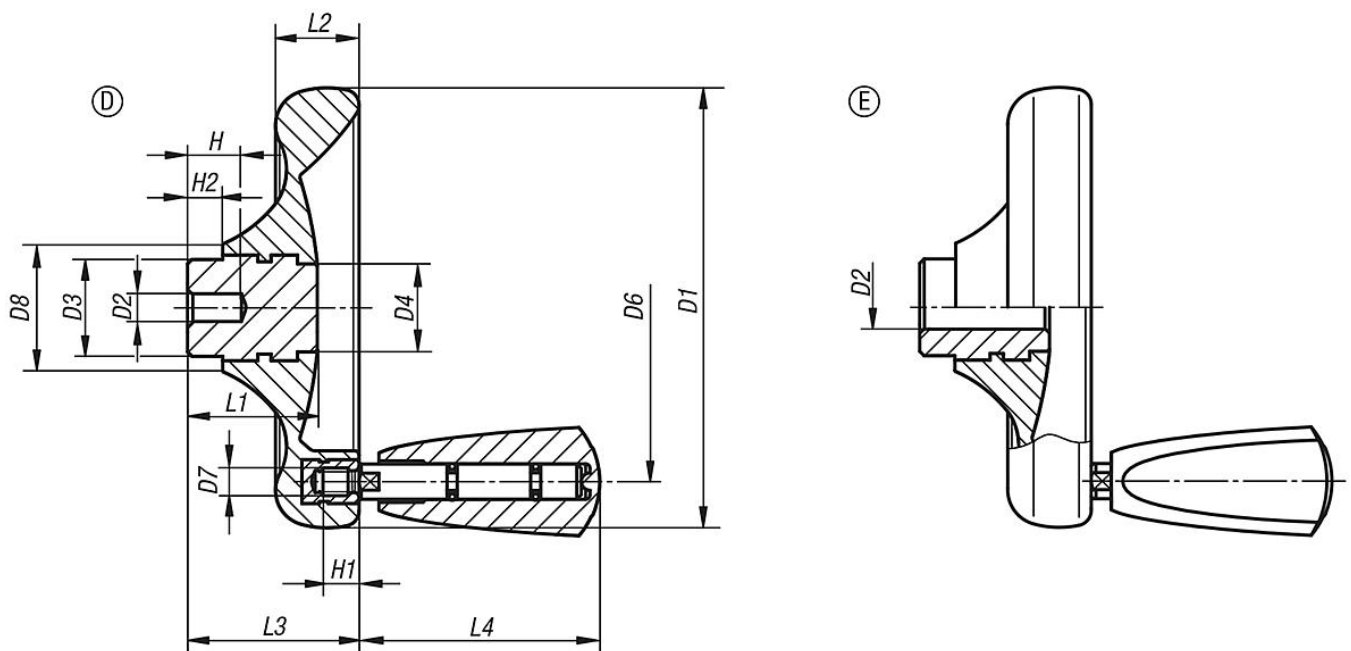
Other reamed hole sizes.

#### Drawing reference:

Form D: pilot hole

Form E: reamed hole

## Drawings



## Overview of items

### Handwheels disc, with revolving grip

Order No.	Version	Form	D1	D2	D3	D4	D6	D7	D8	H	H1	H2	L1	L2	L3	L4
K0164.0100X06	pre-drilled	D	100	6	22	20	79	M6	29	12	9	8	29,5	19	39	54,7
K0164.0125X08	pre-drilled	D	125	8	26	21	101	M6	34	15	9	8	34	24	46	54,7
K0164.0140X08	pre-drilled	D	140	8	30	25	110	M8	39	16	12	8	38,5	27	52	82,2
K0164.0160X10	pre-drilled	D	160	10	33	30	128	M8	43	20	12	8	41,3	30,1	57	82,2
K0164.1100X10	reamed hole	E	100	10H8	22	20	79	M6	29	-	9	8	29,5	19	39	54,7
K0164.1125X12	reamed hole	E	125	12H8	26	21	101	M6	34	-	9	8	34	24	46	54,7
K0164.1140X14	reamed hole	E	140	14H8	30	25	110	M8	39	-	12	8	38,5	27	52	82,2
K0164.1160X16	reamed hole	E	160	16H8	33	30	128	M8	43	-	12	8	41,3	30,1	57	82,2

## Handwheels disc with revolving grip

### Overview of items

Order No.	Version	Form	D1	D2	D3	D4	D6	D7	D8	H	H1	H2	L1	L2	L3	L4
K0164.1160X18	reamed hole	E	160	18H8	33	30	128	M8	43	-	12	8	41,3	30,1	57	82,2
K0164.2100X06	pre-drilled	D	100	6	22	20	79	M6	29	12	9	8	29,5	19	39	54,7
K0164.2125X08	pre-drilled	D	125	8	26	21	101	M6	34	15	9	8	34	24	46	54,7
K0164.2140X08	pre-drilled	D	140	8	30	25	110	M8	39	16	12	8	38,5	27	52	82,2
K0164.2160X10	pre-drilled	D	160	10	33	30	128	M8	43	20	12	8	41,3	30,1	57	82,2
K0164.3100X10	reamed hole	E	100	10H7	22	20	79	M6	29	-	9	8	29,5	19	39	54,7
K0164.3125X12	reamed hole	E	125	12H7	26	21	101	M6	34	-	9	8	34	24	46	54,7
K0164.3140X14	reamed hole	E	140	14H7	30	25	110	M8	39	-	12	8	38,5	27	52	82,2
K0164.3160X16	reamed hole	E	160	16H7	33	30	128	M8	43	-	12	8	41,3	30,1	57	82,2
K0164.3160X18	reamed hole	E	160	18H7	33	30	128	M8	43	-	12	8	41,3	30,1	57	82,2