

Barrel slide bolts

Item description/product images



Description

Material:

Housing die-cast zinc.

Grip, underlay and slot tabs thermoplastic PA.

Bolt stainless steel.

Version:

Housing painted silver.

Grip, underlay and slot tabs black.

Bolt bright.

Note:

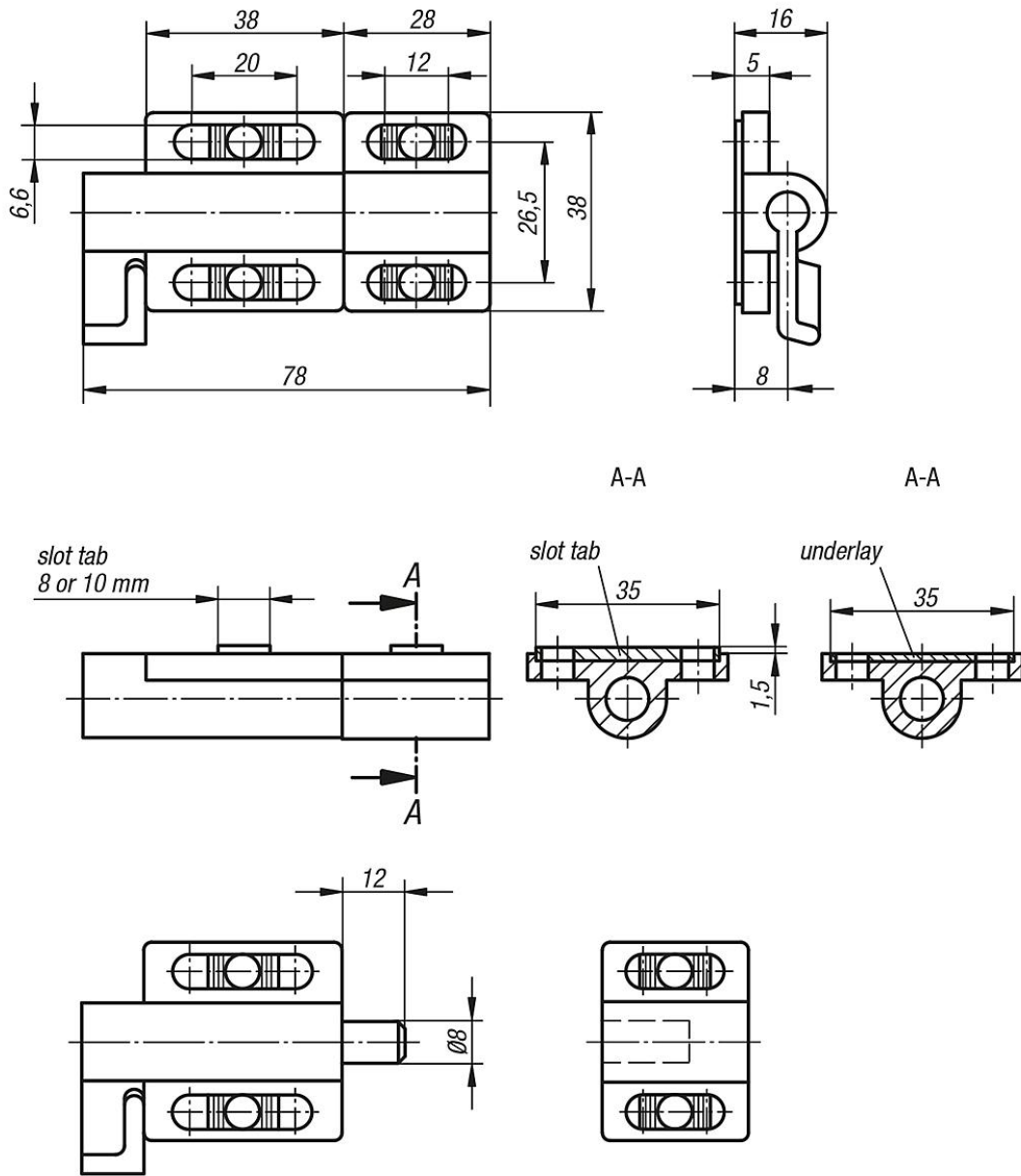
Spring loaded bolt.

Supplied with:

- 2 underlays for mounting on level surfaces.
- 2 of each tabs for mounting on profiles with 8 or 10 mm slots.

Barrel slide bolts

Drawings



Overview of items

Barrel slide bolts

Order No.	Spring force initial pressure F1 approx. N	Spring force final pressure F2 approx. N
K0349.38038028	5	15