

Ledge handles

Item description/product images



Description

Material:

Profile aluminium EN AW-6060

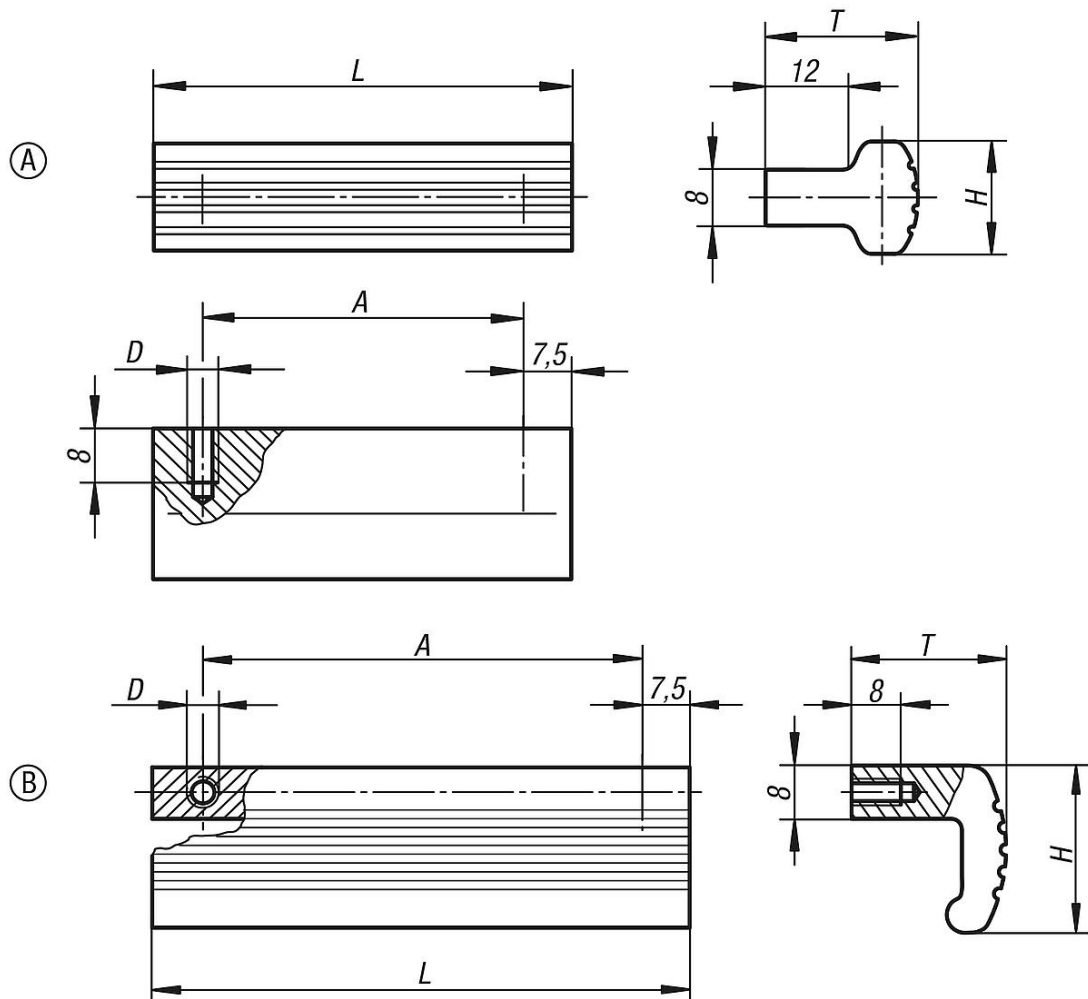
Version:

Profile aluminium vibration ground, matt-finished and natural colour or black anodised.

On request:

Any other lengths.

Drawings



Overview of items

Ledge handles

Ledge handles

Overview of items

Order No.	Main colour	Form	A	D	H	L	T	Load capacity N
K0232.10301	natural anodized	A	30	M4	16	45	22	200
K0232.10302	black anodized	A	30	M4	16	45	22	200
K0232.10451	natural anodized	A	45	M4	16	60	22	200
K0232.10452	black anodized	A	45	M4	16	60	22	200
K0232.10701	natural anodized	A	70	M4	16	85	22	200
K0232.10702	black anodized	A	70	M4	16	85	22	200
K0232.10901	natural anodized	A	90	M4	16	105	22	200
K0232.10902	black anodized	A	90	M4	16	105	22	200
K0232.11051	natural anodized	A	105	M4	16	120	22	200
K0232.11052	black anodized	A	105	M4	16	120	22	200
K0232.11201	natural anodized	A	120	M4	16	135	22	200
K0232.11202	black anodized	A	120	M4	16	135	22	200
K0232.20301	natural anodized	B	30	M4	26	45	25	200
K0232.20302	black anodized	B	30	M4	26	45	25	200
K0232.20451	natural anodized	B	45	M4	26	60	25	200
K0232.20452	black anodized	B	45	M4	26	60	25	200
K0232.20701	natural anodized	B	70	M4	26	85	25	200
K0232.20702	black anodized	B	70	M4	26	85	25	200
K0232.20901	natural anodized	B	90	M4	26	105	25	200
K0232.20902	black anodized	B	90	M4	26	105	25	200
K0232.21051	natural anodized	B	105	M4	26	120	25	200
K0232.21052	black anodized	B	105	M4	26	120	25	200
K0232.21201	natural anodized	B	120	M4	26	135	25	200
K0232.21202	black anodized	B	120	M4	26	135	25	200