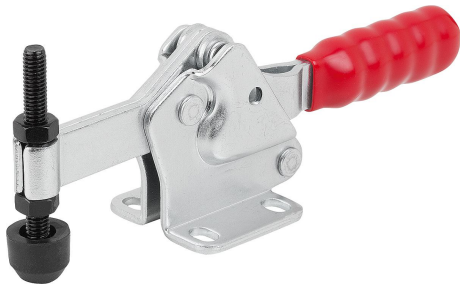


Toggle clamps horizontal with flat foot and fixed clamping spindle

Item description/product images



Description

Material:
Steel.

Version:
Trivalent passivated.
Clamping spindle and nuts phosphated.
Plastic grip oil-resistant.

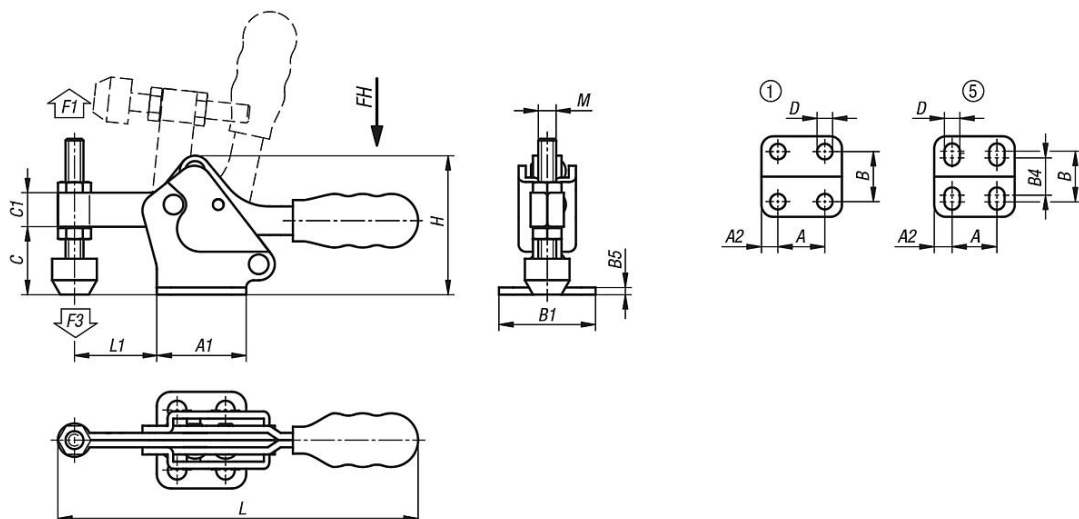
Note:
The clamping spindle is supplied with a neoprene thrust pad.

Accessory:

K0688
K0689
K0101
K1442
K0102
K0103
K1443
K0104
K0106
K1431



Drawings



Overview of items

Toggle clamps horizontal with flat foot and fixed clamping spindle

Toggle clamps horizontal with flat foot and fixed clamping spindle

Overview of items

Order No.	hole arrangement			Opening angle of holding arm				Opening angle of handle		Hand force FH N	Retaining force F1 N			Clamping force F3 N
K1434.00700	1			96°				78°		50	700			300
K1434.01400	5			93°				76°		150	1400			600
Order No.	A	A1	A2	B	B1	B4	B5	C	C1	D	H	L	L1	M
K1434.00700	13,5	25	5,7	16,8	27	-	2	19	9,5	5,2	38,8	101	23	M5x35
K1434.01400	26	38	6	28	40	22	2,5	25	14	5,5	53	156	38	M6x50