

# Toggle clamps mini horizontal with flat left foot and adjustable clamping spindle

Item description/product images



## Description

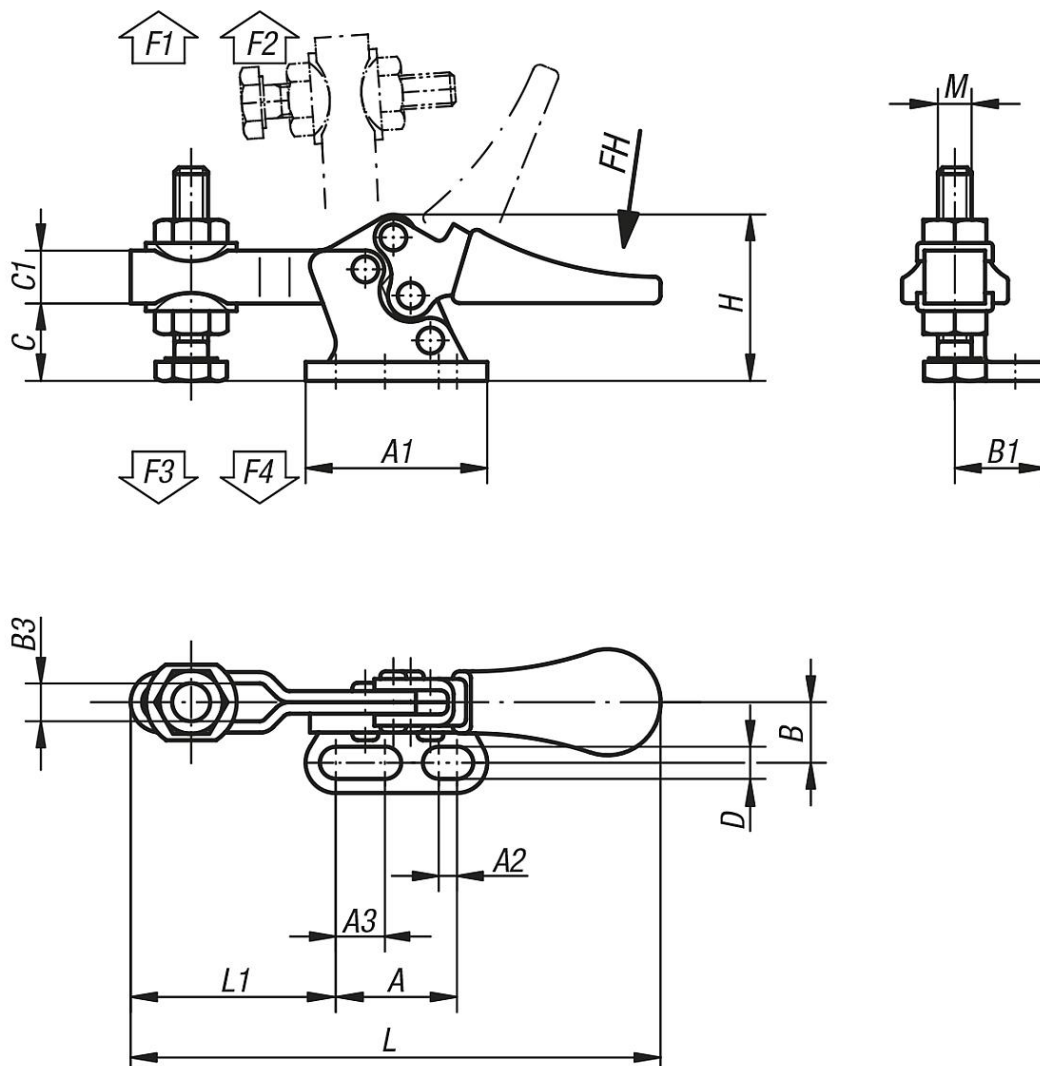
**Material:**  
Steel.

**Version:**  
Trivalent passivated.  
Clamping spindle and nuts phosphated.  
Plastic grip oil-resistant.

## Accessory:

K0101  
K0102  
K0103  
K0106  
K0107

## Drawings



# Toggle clamps mini horizontal with flat left foot and adjustable clamping spindle

## Overview of items

### Toggle clamps mini horizontal with flat left foot and adjustable clamping spindle

Order No.	Opening angle of holding arm			Opening angle of handle			Hand force FH N			Retaining force F1 N			Retaining force F2 N			Clamping force F3 N			Clamping force F4 N
K0071.0050	85°			65°			80			250			550			170			370
Order No.	A	A1	A2	A3	B	B1	B3	C	C1	D	H	L	L1	M					
K0071.0050	16	24	2,4	6,5	8	12	5,2	9,5	7	4,2	22	70	27	M5x20					