

Toggle clamps vertical with straight foot and adjustable clamping spindle

Item description/product images



Description

Material:

Steel.

Version:

Trivalent passivated.

Clamping spindle and nuts phosphated.

Plastic grip oil-resistant.

Note:

The opening angle between the holding arm and the handle can be reduced or increased by repositioning or removing the stop pin.

A neoprene pressure pad is supplied with versions K0055.0075 and K0055.0150.

Accessory:

K0100

K0101

K0102

K0103

K0106

K0107

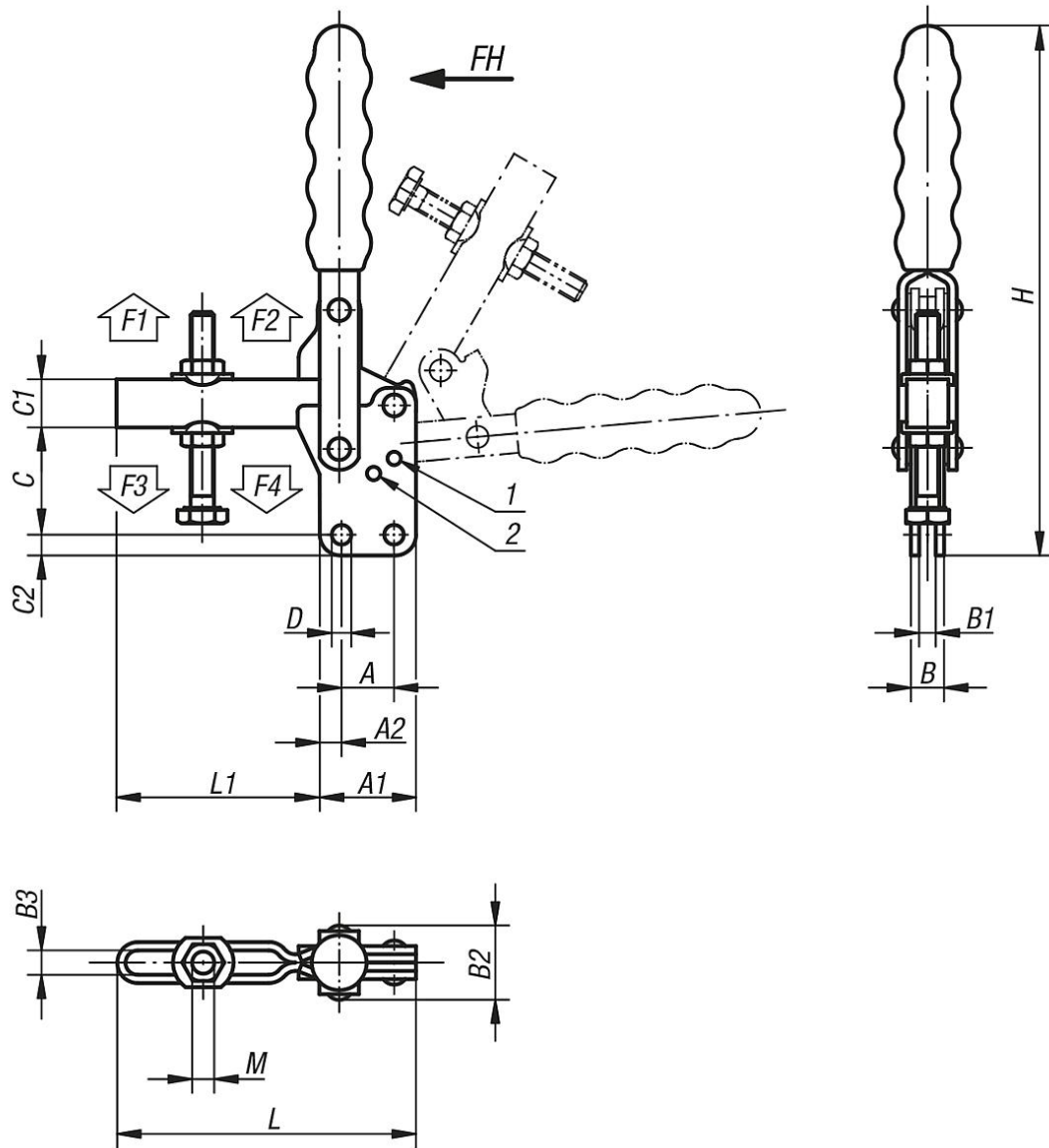
Drawing reference:

1) stop pin position 1

2) stop pin position 2

Toggle clamps vertical with straight foot and adjustable clamping spindle

Drawings



Overview of items

Toggle clamps vertical with straight foot and adjustable clamping spindle

Order No.	Opening angle holding arm			Opening angle handle			Matching plastic grip
	position 1	position 2	stop pin removed	position 1	position 2	stop pin removed	
K0055.0075	130°	-	195°	90°	-	125°	K0100.16
K0055.0150	95°	-	185°	75°	-	110°	K0100.19
K0055.0250	95°	125°	160°	70°	85°	100°	K0100.28
K0055.0350	90°	120°	180°	70°	80°	110°	K0100.30
K0055.0450	90°	125°	180°	70°	85°	110°	K0100.34
K0055.0550	90°	120°	180°	65°	80°	110°	K0100.35

Order No.	A	A1	A2	B	B1	B2	B3	C	C1	C2	D	H	L	L1	M	Hand force FH N	Retaining force F1 N	Retaining force F2 N	Clamping force F3 N	Clamping force F4 N
K0055.0075	16	26	5	8	4	17	5,5	22	9	5	4,4	106	57	31	M5x35	80	700	1100	500	750
K0055.0150	12,7	27	7	12	6	24	6,4	28	11	5,4	5,1	135	70	43	M6x50	120	1350	1650	800	1050
K0055.0250	19	35	8	12	6	26	8,8	39	17,5	7	7,1	190	110	75	M8x60	190	1000	2800	900	1700
K0055.0350	32	50	9	16	8	33	10,6	54	22	9,6	8,3	245	145	95	M10x80	230	2200	4500	1400	3000

Toggle clamps vertical with straight foot and adjustable clamping spindle

Overview of items

Order No.	A	A1	A2	B	B1	B2	B3	C	C1	C2	D	H	L	L1	M	Hand force FH N	Retaining force F1 N	Retaining force F2 N	Clamping force F3 N	Clamping force F4 N
K0055.0450	32	53	10	20	10	42	13,5	59	25	8,7	8,7	246	177	124	M12x100	260	3200	7000	1400	3000
K0055.0550	51	76	12,5	20	10	41	16,5	102	32	12,7	12,3	345	230	154	M16x150	290	3000	8000	1800	3900