

## Hinges lift-off stainless steel

### Item description/product images



### Description

**Material:**

Hinge and pin stainless steel 1.4401.

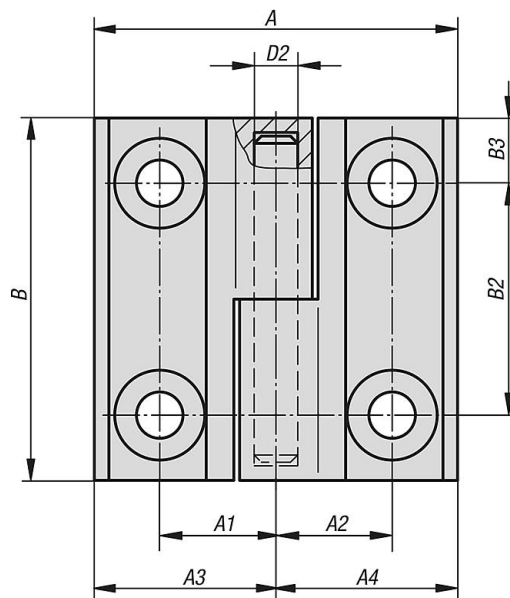
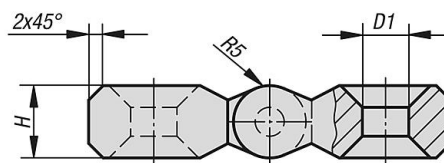
**Version:**

Satin finished.

**Note:**

This double symmetry hinge can be mounted right or left.  
The opening angle is max. 125°.

### Drawings



### Overview of items

#### Hinges lift-off, stainless steel

## Hinges lift-off stainless steel

### Overview of items

Order No.	A	A1	A2	A3	A4	B	B2	B3	D1	D2	H	Load capacity N
<b>K1342.06251616</b>	50	16	16	25	25	50	32	9	6,4	6	10	5000