

Hinges lift-off stainless steel

Item description/product images



Description

Material:

Hinge stainless steel 1.4401.

Pin stainless steel 1.4104.

Version:

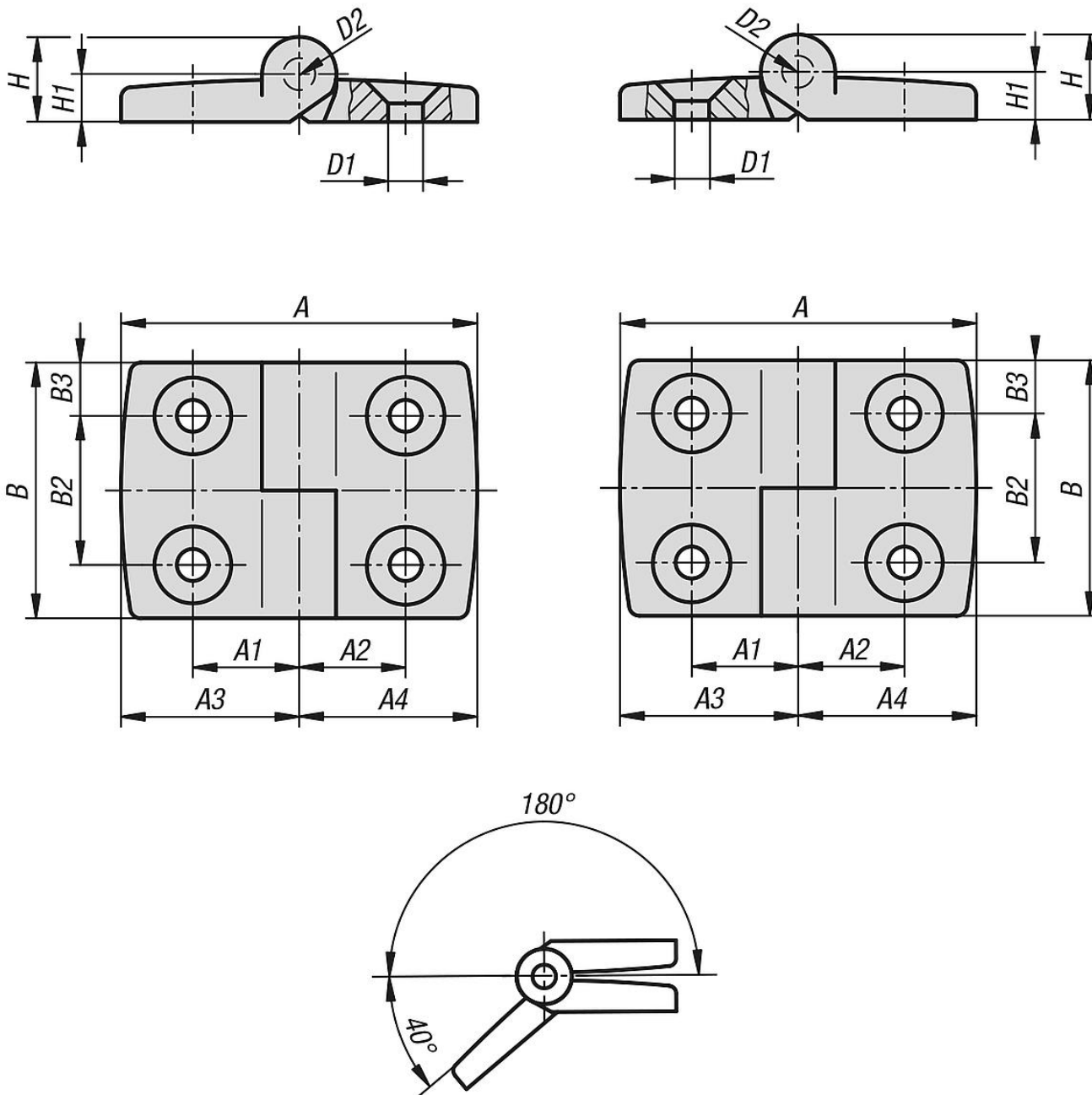
High-gloss polished.

Note:

Lift-off hinge for panel elements and aluminium profiles. Pin end closed.
Countersunk holes to minimize dirt accumulation.

Hinges lift-off stainless steel

Drawings



Overview of items

Hinges lift-off stainless steel

Order No.	Version	A	A1	A2	A3	A4	B	B2	B3	D1	D2	H	H1	Load capacity N
K1345.16261515	left	52	15	15	26	26	48	28	10	6,6	6	16	9	5000
K1345.16301818	left	59	17,5	17,5	29,5	29,5	48	28	10	6,6	6	16	9	5000
K1345.16392323	left	77	22,5	22,5	38,5	38,5	48	28	10	6,6	6	16	9	5000
K1345.16442525	left	87	25	25	43,5	43,5	48	28	10	6,6	6	16	9	5000
K1345.16583333	left	115	32,5	32,5	57,5	57,5	48	28	10	6,6	6	16	9	5000
K1345.06261515	right	52	15	15	26	26	48	28	10	6,6	6	16	9	5000

Hinges lift-off stainless steel

Overview of items

Order No.	Version	A	A1	A2	A3	A4	B	B2	B3	D1	D2	H	H1	Load capacity N
K1345.06301818	right	59	17,5	17,5	29,5	29,5	48	28	10	6,6	6	16	9	5000
K1345.06392323	right	77	22,5	22,5	38,5	38,5	48	28	10	6,6	6	16	9	5000
K1345.06442525	right	87	25	25	43,5	43,5	48	28	10	6,6	6	16	9	5000
K1345.06583333	right	115	32,5	32,5	57,5	57,5	48	28	10	6,6	6	16	9	5000