

## Connecting sets standard Type I

### Item description/product images



### Description

**Material:**

Steel.

**Version:**

Electro zinc-plated.

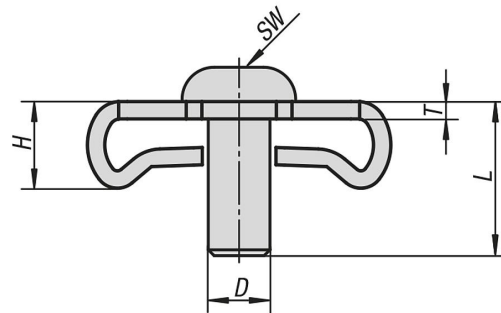
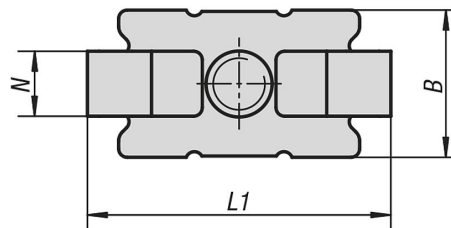
**Note:**

The connecting sets are used for connecting two aluminium profiles at right angles. The connection is non-rotating. For larger profiles several connecting sets can be mounted on the end for greater strength

Low workload. Cut a thread in the end face core hole. Drill a through hole for tightening the screw in the opposing profile.

## Connecting sets standard Type I

### Drawings



### Overview of items

#### Connecting sets standard Type I

Order No.	Type	Slot width	D	B	H	L	L1	N	T	SW
K1031.06	I	6	M6	13	7,3	14	27,5	6	2	4
K1031.08	I	8	M8	17	9,5	20	35	8	2	5