

Swivel feet plates extended die-cast zinc

Item description/product images



Description

Material:

Plate die-cast zinc.

Anti-slip plate thermoplastic elastomer.

Version:

Plate black powder-coated.

Note for ordering:

If the swivel foot plate and the threaded spindle or ball joint are to be supplied assembled, please add the suffix "assembled" to the order number for the plate and the spindle or ball joint. (e.g. K0417.30801 and K0421.060151 assembled.)

Note:

Swivel feet consist of a plate and a threaded spindle or ball joint. Any plate can be combined with any threaded spindle or ball joint. The anti-slip plate absorbs vibrations and prevents the swivel foot slipping.

For matching threaded spindles see K0421.

For matching ball joints see K0422.

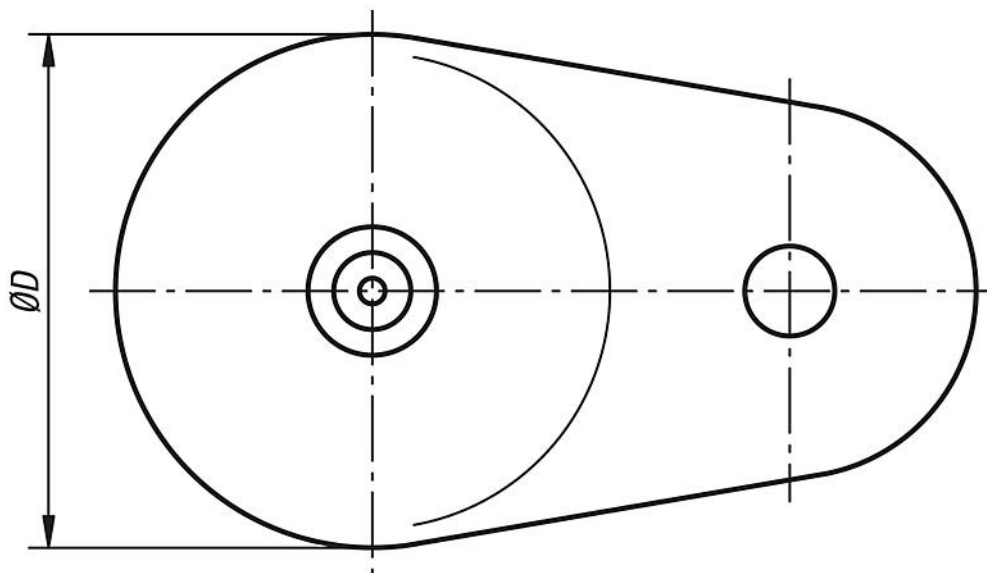
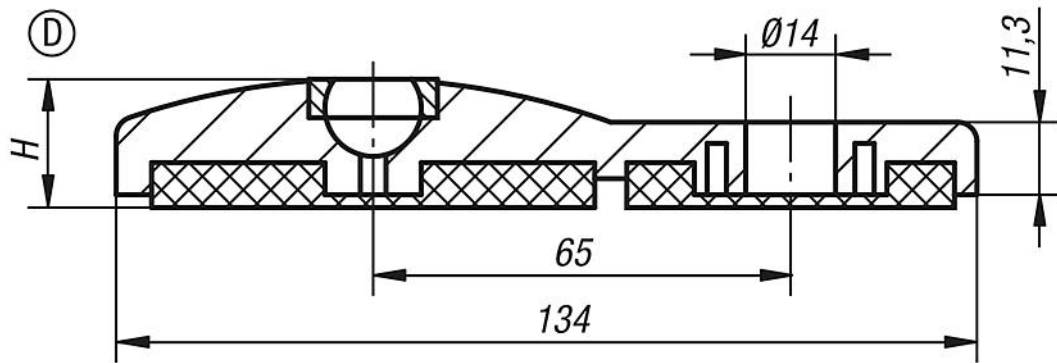
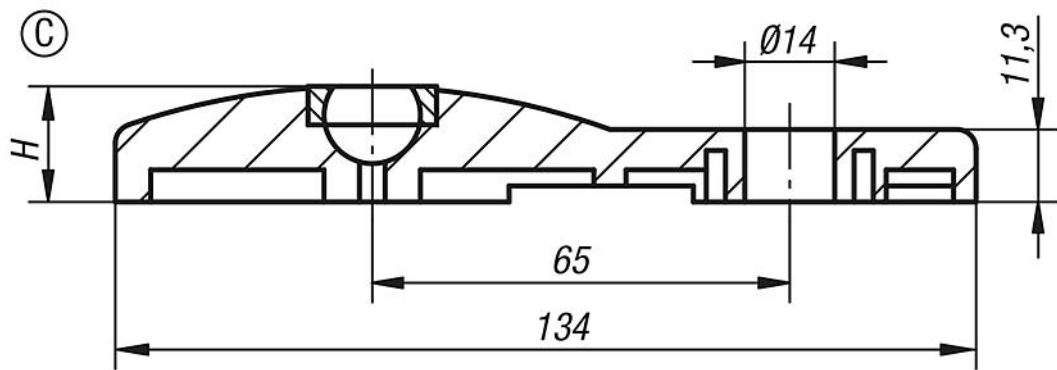
Drawing reference:

Form C with screw-on hole, without anti-slip plate

Form D with screw-on hole, with anti-slip plate

Swivel feet plates extended die-cast zinc

Drawings



Overview of items

Swivel feet plates extended, die-cast zinc

| Order No. | Form | D | H | Load rating max. kN |
|-------------|------|----|----|---------------------|
| K0417.30801 | C | 80 | 18 | 30 |

Swivel feet plates extended die-cast zinc**Overview of items**

| Order No. | Form | D | H | Load rating max. kN |
|-------------|------|----|----|------------------------|
| K0417.40801 | D | 80 | 20 | 30 |