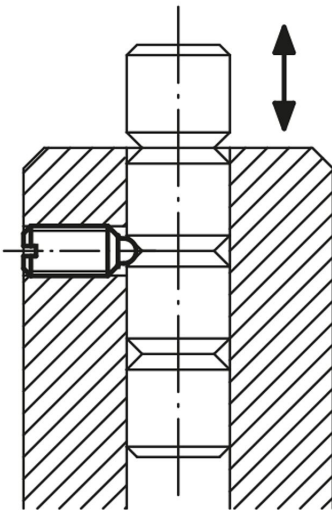


Spring plungers with hexagon socket and ball, stainless steel

Item description/product images



column indexing



Description

Material:

Sleeve 1.4305.

Ball 1.4034.

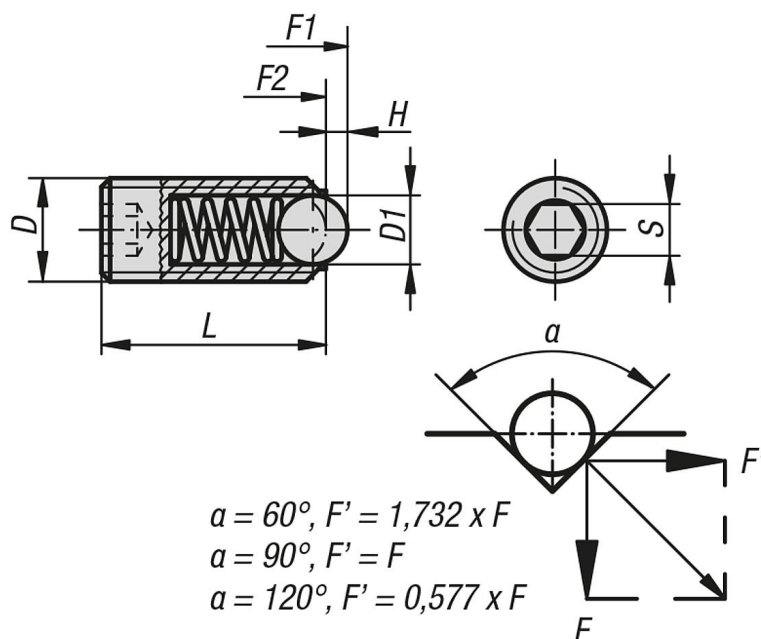
Spring 1.4310.

Version:

Bright. Ball hardened.

Spring plungers with hexagon socket and ball, stainless steel

Drawings



Overview of items

Spring plungers with hexagon socket and ball, standard spring

Order No.	D	D1	H	L	S	Spring force initial pressure F1 approx. N	Spring force final pressure F2 approx. N
K0316.03	M3	1,5	0,4	9	1,5	1,5	3
K0316.04	M4	2,5	0,8	10	2	4	10
K0316.05	M5	3	0,9	14	2,5	6	11
K0316.06	M6	3,5	1	15	3	9	13
K0316.08	M8	5	1,5	18	4	15	30
K0316.10	M10	6	2	23	5	20	35
K0316.12	M12	8	2,5	26	6	30	55
K0316.16	M16	10	3,5	33	8	65	125
K0316.20	M20	12	4,5	43	10	80	160
K0316.24	M24	15	5,5	48	12	90	180
K0316.203	M3	1,5	0,4	9	1,5	5	7
K0316.204	M4	2,5	0,8	10	2	12	22
K0316.205	M5	3	0,9	14	2,5	19	30
K0316.206	M6	3,5	1	15	3	28	40
K0316.208	M8	5	1,5	18	4	47	73
K0316.210	M10	6	2	23	5	66	100
K0316.212	M12	8	2,5	26	6	66	120
K0316.216	M16	10	3,5	33	8	90	180
K0316.220	M20	12	4,5	43	10	115	240
K0316.224	M24	15	5,5	48	12	130	270
K0316.404	M4	2,5	0,8	16	2	4	10
K0316.405	M5	3	0,9	20	2,5	6	11
K0316.406	M6	3,5	1	25	3	9	13
K0316.408	M8	5	1,5	30	4	15	30
K0316.410	M10	6	2	35	5	20	35
K0316.412	M12	8	2,5	40	6	30	55
K0316.416	M16	10	3,5	45	8	65	125