

Toggle clamps latch vertical with catch plate

Item description/product images



Description

Material:

Steel or stainless steel.

Version:

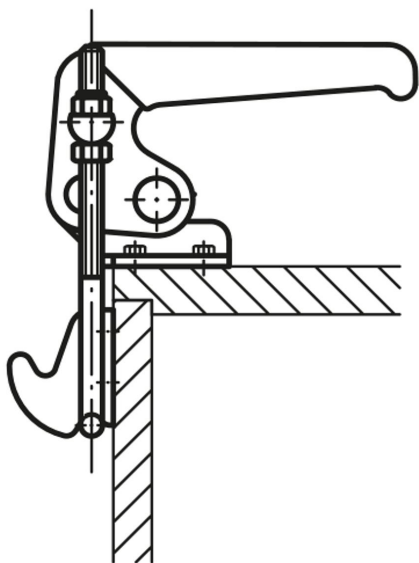
Trivalent passivated.
Stainless steel bright.
Plastic grip oil-resistant.

Note:

Vertical latch toggle clamps are especially suitable for quickly closing and locking covers and hatches.
The travel can be set by altering the hasp length.

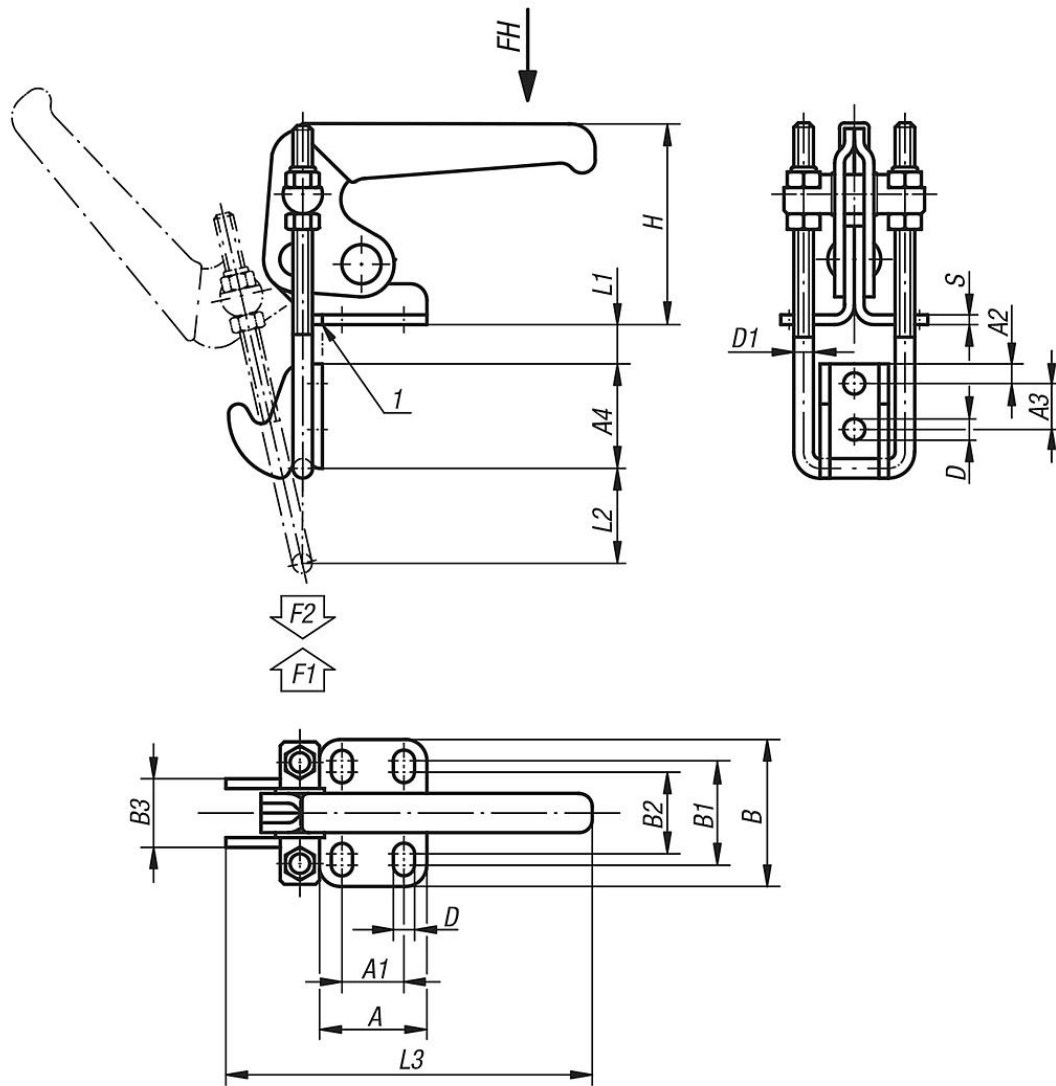
Drawing reference:

1) edge and latch bracket mounted flush



Toggle clamps latch vertical with catch plate

Drawings



Overview of items

Toggle clamps latch vertical with catch plate

| Order No. | Main material | Opening angle of handle | Hand force FH N | Retaining force F2 N | Pull force F1 N | Travel path L1 min. | Travel path L1 max. | Clamping travel L2 |
|-------------|-----------------|-------------------------|-----------------|----------------------|-----------------|---------------------|---------------------|--------------------|
| K0082.0140 | steel | 145° | 100 | 2000 | 1800 | 1 | 25 | 22 |
| K0082.0250 | steel | 145° | 150 | 4000 | 2700 | 1 | 28 | 34 |
| K0082.0450 | steel | 145° | 200 | 7000 | 4500 | 1 | 40 | 45 |
| K0082.0140N | stainless steel | 145° | 100 | 2000 | 1800 | 1 | 25 | 22 |
| K0082.0250N | stainless steel | 145° | 150 | 4000 | 2700 | 1 | 28 | 34 |
| K0082.0450N | stainless steel | 145° | 200 | 7000 | 4500 | 1 | 40 | 45 |

| Order No. | Main material | A | A1 | A2 | A3 | A4 | B | B1 | B2 | B3 | D | D1 | L3 | H | S |
|------------|---------------|----|----|-----|----|----|----|----|----|----|-----|----|-----|----|-----|
| K0082.0140 | steel | 26 | 13 | 4,5 | 11 | 24 | 36 | 24 | 19 | 16 | 5,2 | 4 | 76 | 42 | 2,5 |
| K0082.0250 | steel | 35 | 19 | 6 | 14 | 32 | 48 | 33 | 26 | 21 | 6,5 | 6 | 115 | 64 | 3 |

Toggle clamps latch vertical with catch plate

Overview of items

| Order No. | Main material | A | A1 | A2 | A3 | A4 | B | B1 | B2 | B3 | D | D1 | L3 | H | S |
|--------------------|-----------------|----|----|-----|----|----|----|----|----|----|-----|----|-----|----|-----|
| K0082.0450 | steel | 51 | 32 | 8 | 19 | 40 | 64 | 45 | 36 | 28 | 8,5 | 8 | 152 | 85 | 4 |
| K0082.0140N | stainless steel | 26 | 13 | 4,5 | 11 | 24 | 36 | 24 | 19 | 16 | 5,2 | 4 | 76 | 42 | 2,5 |
| K0082.0250N | stainless steel | 35 | 19 | 6 | 14 | 32 | 48 | 33 | 26 | 21 | 6,5 | 6 | 115 | 64 | 3 |
| K0082.0450N | stainless steel | 51 | 32 | 8 | 19 | 40 | 64 | 45 | 36 | 28 | 8,5 | 8 | 152 | 85 | 4 |