

Wing nuts for Hygienic USIT® sealing and shim washer Freudenberg Process Seals

Item description/product images



Description

Material:

Steel parts stainless steel 1.4404.

Version:

High-gloss polished.

Note:

The wing nut makes simple screw connections superbly feasible. They can be easily opened or re-tightened without tools.

The complete surface is polished to a high gloss with a surface finish of much less than $Ra\ 0.8\ \mu m$. The contour is produced with generous radii and transitions. It doesn't matter in which position the wing grip is mounted, dirt and residue from products or cleaners seldom adheres. Easy cleaning is ensured.

The Hygienic USIT® sealing and shim washers from Freudenberg Process are used to seal the screw-on point. The shaft of the wing nut is specially designed to suit this seal. An almost cavity-free seal of the screw-on point is created which satisfies hygienic regulations.

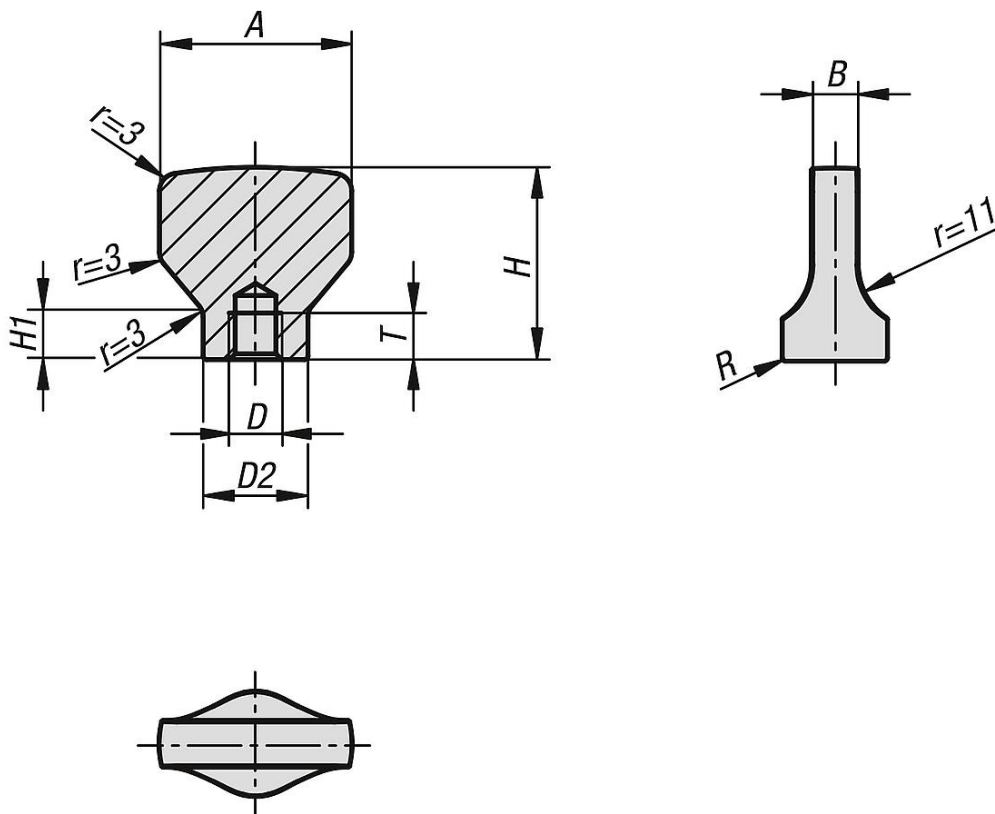
On request:

Inch threads, thread lengths.

Accessory:

Hygienic USIT® sealing and shim washer K1326 for the screw-on surface.

Drawings



Wing nuts for Hygienic USIT® sealing and shim washer Freudenberg

Process Seals

Overview of items

Wing nuts for Hygienic USIT® sealing and shim washer Freudenberg Process Seals

Order No.	A	B	D	D2	H	H1	R	T
K1312.2004	20	4	M4	10,8	19	5,3	0,45	6
K1312.2105	21	5	M5	11,8	21	6	0,5	6
K1312.2506	25	6	M6	14,2	25	7	0,55	7
K1312.3308	33	8	M8	18	33	8,4	0,7	9
K1312.4010	40	10	M10	22,3	40	10	0,8	11