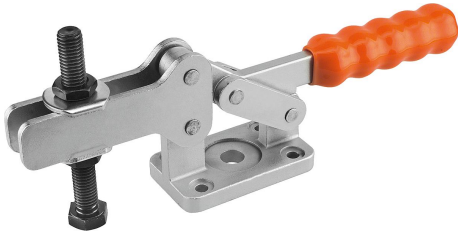


Toggle clamps horizontal heavy-duty with adjustable clamping spindle

Item description/product images



Description

Material:

Steel. Body and grip cast steel.

Version:

Trivalent passivated.

Clamping spindle and nuts phosphated.

Plastic grip oil-resistant.

Accessory:

K0100

K0101

K0102

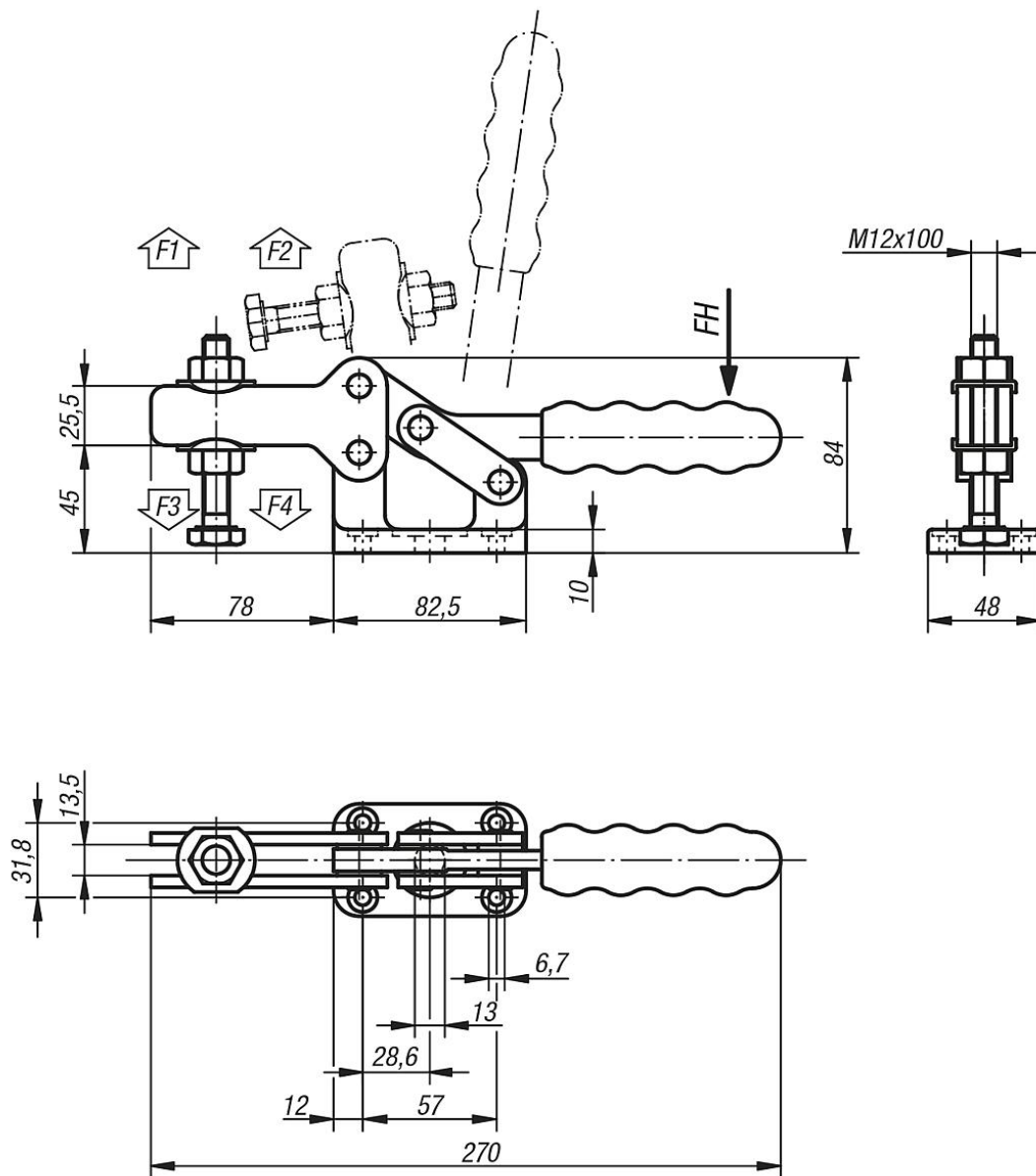
K0103

K0106

K0107

Toggle clamps horizontal heavy-duty with adjustable clamping spindle

Drawings



Overview of items

Toggle clamps horizontal heavy-duty with adjustable clamping spindle

Order No.	Opening angle of holding arm	Opening angle of handle	Hand force FH N	Retaining force F1 N	Retaining force F2 N	Clamping force F3 N	Clamping force F4 N	Matching plastic grip
K0077.0700	90°	95°	250	4500	9000	1800	3550	K0100.32