

# Toggle clamps vertical with flat foot and adjustable clamping spindle

## Item description/product images



Angle bracket for front face mounting (see accessories)

### Description

#### Material:

Steel or stainless steel.

#### Version:

Trivalent passivated.

Clamping spindle and nuts phosphated.

Stainless steel bright.

Plastic grip oil-resistant.

#### Note:

The opening angle between the holding arm and the handle can be reduced or increased by repositioning or removing the stop pin.

A neoprene pressure pad is supplied with versions K0058.0075, K0058.0100 and K0058.0150.

An angle bracket cannot be supplied in stainless steel with versions K0058.0075N, K0058.0150N and K0058.0250N.

#### Accessory:

K0098

K0100

K0101

K0102

K0103

K0106

K0107

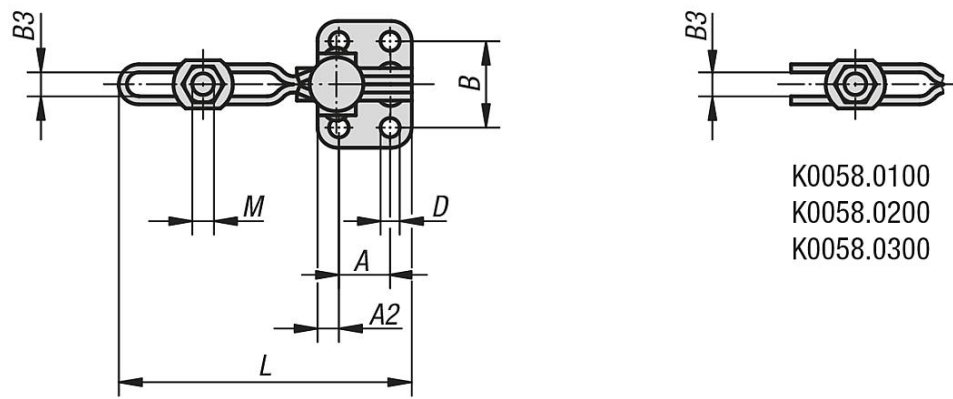
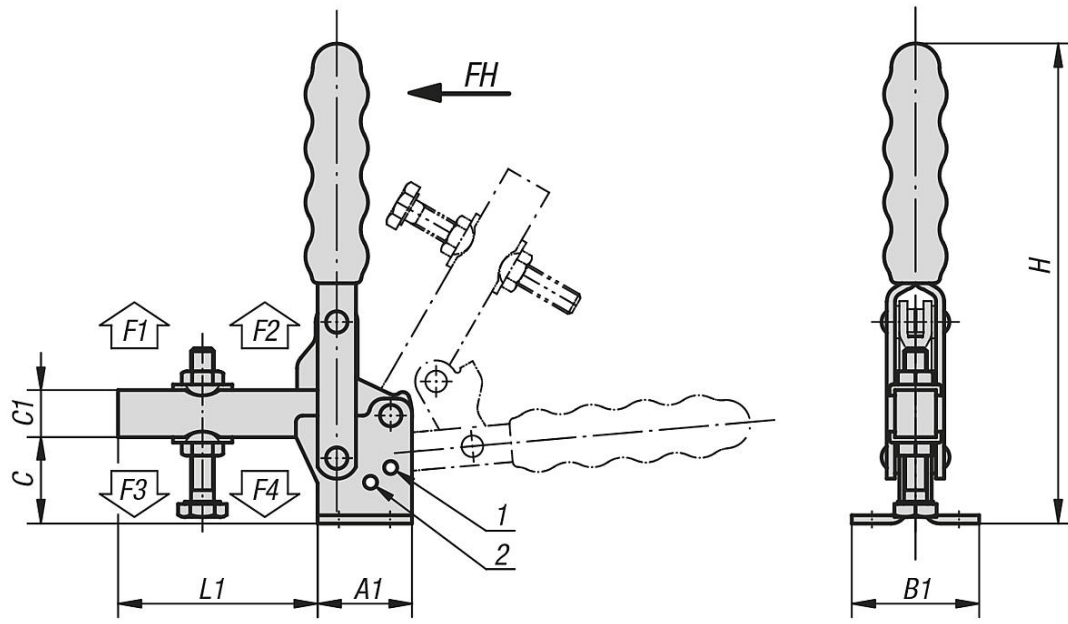
#### Drawing reference:

1) stop pin position 1

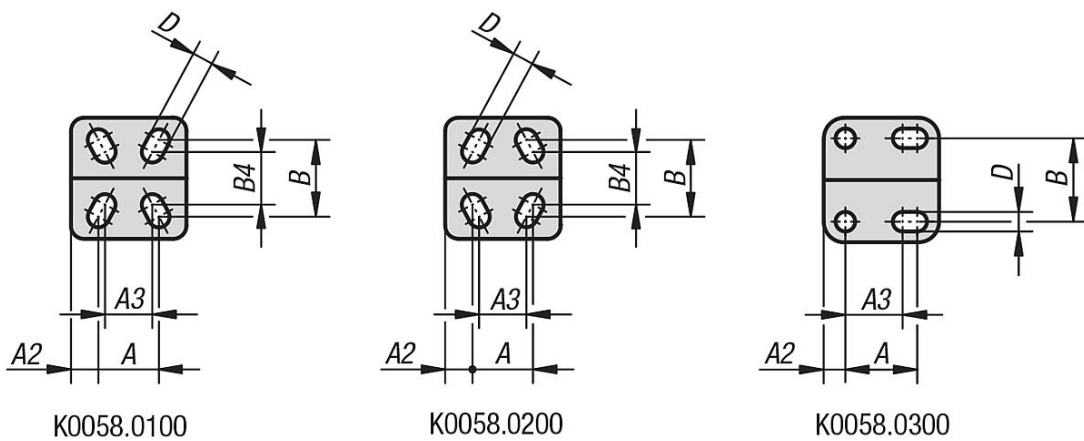
2) stop pin position 2

Toggle clamps vertical with flat foot and adjustable clamping spindle

Drawings



K0058.0100  
K0058.0200  
K0058.0300



Overview of items

Toggle clamps vertical with flat foot and adjustable clamping spindle

## Toggle clamps vertical with flat foot and adjustable clamping spindle

### Overview of items

Order No.	Main material	Opening angle holding arm position 1			Opening angle holding arm position 2			Opening angle holding arm stop pin removed			Opening angle handle position 1			Opening angle handle position 2			Opening angle handle stop pin removed			Order No. Angle bracket	Matching plastic grip
K0058.0075	steel	130°			-			160°			90°			-			100°			K0098.02	K0100.16
K0058.0100	steel	95°			-			185°			65°			-			105°			-	K0100.16
K0058.0150	steel	95°			-			185°			75°			-			110°			K0098.02	K0100.19
K0058.0200	steel	105°			-			175°			70°			-			95°			-	K0100.22
K0058.0250	steel	95°			125°			160°			70°			85°			100°			K0098.04	K0100.28
K0058.0300	steel	105°			-			160°			65°			-			90°			-	K0100.28
K0058.0350	steel	90°			120°			180°			70°			80°			110°			K0098.06	K0100.30
K0058.0450	steel	90°			125°			180°			70°			85°			110°			K0098.06	K0100.34
K0058.0550	steel	90°			120°			180°			65°			80°			110°			-	K0100.35
K0058.0075N	stainless steel	130°			-			160°			90°			-			100°			-	K0100.16
K0058.0150N	stainless steel	95°			-			185°			75°			-			110°			-	K0100.19
K0058.0250N	stainless steel	95°			125°			160°			70°			85°			100°			-	K0100.28
Order No.	Main material	A	A1	A2	A3	B	B1	B3	B4	C	C1	D	H	L	L1	M	Hand force FH N	Retaining force F1 N	Retaining force F2 N	Clamping force F3 N	Clamping force F4 N
K0058.0075	steel	16	25	5	-	24	34	5,5	-	16	9	4,4	94	57	32	M5x35	80	700	1100	500	750
K0058.0100	steel	16	29	6	14	24	34	5,5	17,5	22	9,5	4,8	98	67	38	M5x35	80	700	1000	500	800
K0058.0150	steel	12,7	27	7	-	27	38	6,4	-	23	11	5,1	121	70	43	M6x50	120	1350	1650	800	1050
K0058.0200	steel	19	35	8	12,7	27	42	6,3	25	30	12,7	5,5	135	79	44	M6x50	100	1000	2200	950	1350
K0058.0250	steel	19	35	8	-	32	45	8,8	-	32	17,5	7,1	175	110	75	M8x60	190	1000	2800	900	1700
K0058.0300	steel	25	43	9	19	34,5	53	8,8	-	34	19	8	186	143	100	M8x60	130	2000	3700	900	1850
K0058.0350	steel	32	50	9	-	45	64	10,6	-	43	22	8,3	220	145	95	M10x80	230	2200	4500	1400	3000
K0058.0450	steel	32	53	10	-	45	64	12,7	-	51	25	8,7	228	177	124	M12x100	260	3200	7000	1400	3000
K0058.0550	steel	51	76	12,5	-	70	95	16,5	-	84	32	12,3	312	232	156	M16x150	290	3000	8000	1800	3900
K0058.0075N	stainless steel	16	25	5	-	24	34	5,5	-	16	9	4,4	94	57	32	M5x35	80	700	1100	500	750
K0058.0150N	stainless steel	12,7	27	7	-	27	38	6,4	-	23	11	5,1	121	70	43	M6x50	120	1350	1650	800	1050
K0058.0250N	stainless steel	19	35	8	-	32	45	8,8	-	32	17,5	7,1	175	110	75	M8x60	190	1000	2800	900	1700